

Character Adoption of the flux gate system makes it possible to conduct high-precision current measurements. Space saving through parallel installation with primary current line Low-temperature drift and excellent linearity

Uses High-stabilizing DC power supply units Power controllers High-precision current breakers

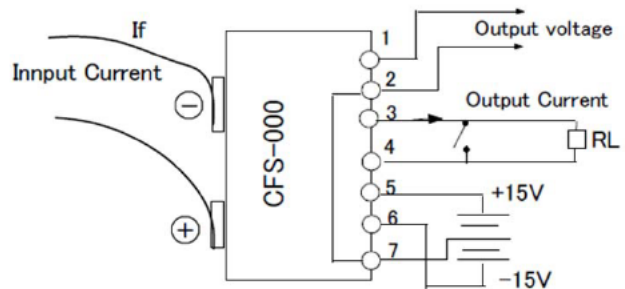
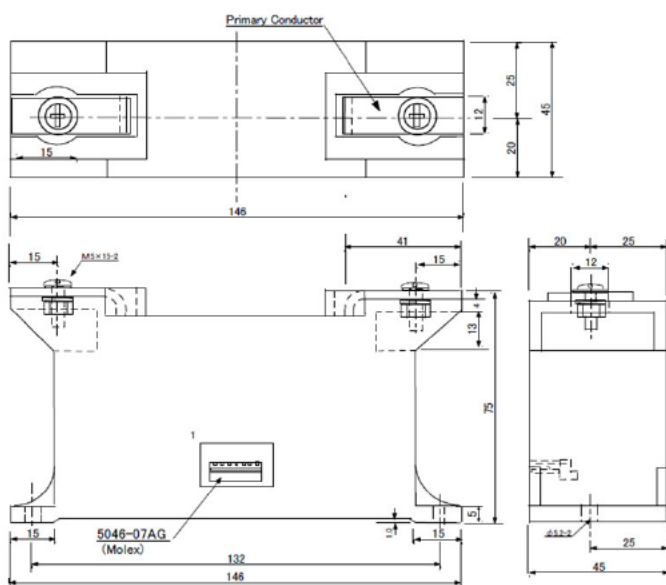
Main Electrical Characteristics Main Specifications

Ta=25°C

Parameter	Symbol	Unit	Conditions	Model		
				CFS-025A	CFS-050A	CFS-075A
Primary nominal current	If	A	DC (Peak AC)	0~±25A	0~±50A	0~±75A
Linearity limits		A	DC (Peak AC)	0~±40A	0~±75A	0~±90A
Rated output current	Iout	mA	If max	±50mA ±1%		
Load resistance	RL	Ω	Maximum value	40Ω		
			Minimum value	10Ω		
Linearity error	EL	%		<10ppm		
Offset current	Iof	μA	*	±10μA		
Supply voltage	Vcc	V		±15V ±5%		
Current consumption	Ic	mA		±150mA + Iout		
Ambient operating temp.	Ta	°C		-15°C~+70°C		
Ambient storage temp.	Ts	°C		-20°C~+80°C		

* Includes geomagnetism + residual magnetism + impact of electrical circuit offset

CFS-000A Outline Drawing (Unit: mm)



Terminal connection numbers

- 1: Output Voltage
- 2: Grand(0V Volt)
- 3: Output Current +
- 4: Output Current -
- 5: +15V
- 6: -15V
- 7: 0V

Connector: Molex 5046-07AG

※ When input current (If) is [+ → -]
Pins ①, ③ are positive, ②, ④ are negative

Character Adoption of the flux gate system makes it possible to conduct high-precision current measurements. Low-voltage output type
Space saving through parallel installation with primary current line Low-temperature drift and excellent linearity

Uses High-stabilizing DC power supply units Power controllers High-precision current breakers

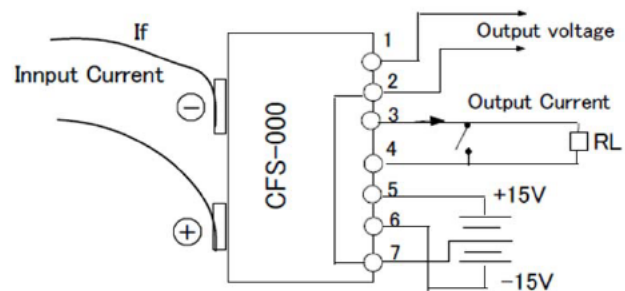
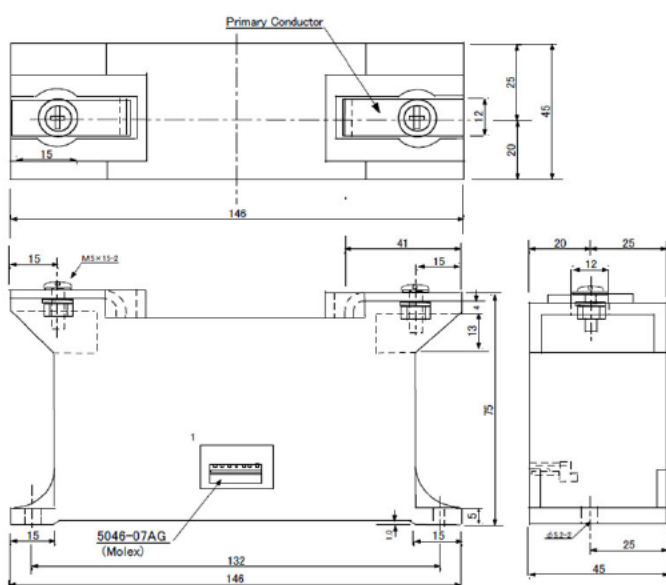
Main Electrical Characteristics Main Specifications

Ta=25°C

Parameter	Symbol	Unit	Conditions	Model		
				CFS-025V	CFS-050V	CFS-075V
Primary nominal current	If	A	DC (Peak AC)	0~±25A	0~±50A	0~±75A
Linearity limits		A	DC (Peak AC)	0~±40A	0~±75A	0~±90A
Rated output voltage	Vout	V	If max	±2V±1%		
Load resistance	RL	Ω		10kΩ		
Linearity error	εL	%		<10ppm		
Offset current	Vof	mV	*	≤±5mV		
Supply voltage	VCC	V		±15V ±5%		
Current consumption	Ic	mA		≤±150mA		
Ambient operating temp.	Ta	°C		-15°C~+70°C		
Ambient storage temp.	Ts	°C		-20°C~+80°C		

* Includes geomagnetism + residual magnetism + impact of electrical circuit offset

CFS-000V Outline Drawing (Unit: mm)



Terminal connection numbers

- 1... Output Voltage
- 2... Grand (0V Volt)
- 3... Output Current +
- 4... Output Current -
- 5... +15V
- 6... -15V
- 7... 0V

Connector: Molex 5046-07AG

※ When input current (If) is [+ → -]

Pins ①, ③ are positive, ②, ④ are negative

※ In case of voltage output (between ① and ②): short current output terminals (between ③ and ④).